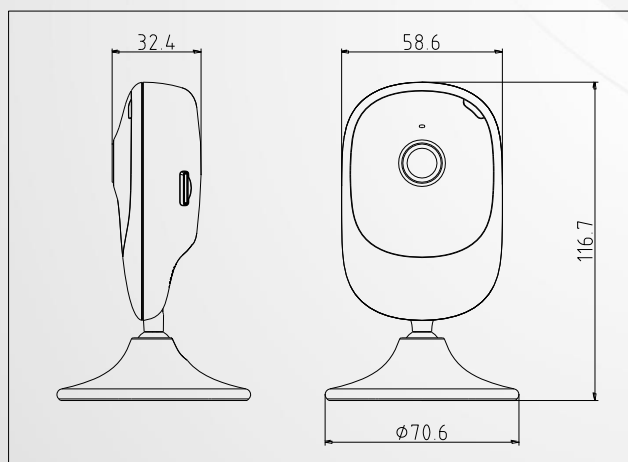


## DS-2CD1402FD-IW

### 1 MP CMOS Alarm Pro Cube Camera



- 1/4" Progressive Scan CMOS
- Up to 1 megapixel resolution
- Digital WDR
- 3D DNR
- 10 meters IR range
- Built-in Micro SD/SDHC/SDXC card slot, up to 128 GB
- Two-way audio
- Built-in microphone and speaker
- Support Wi-Fi, support WPS configuration with one touch
- 5V DC $\pm$ 10%
- Support smart WiFi Config
- Support Ezviz or iVMS-4500 management



# DS-2CD1402FD-IW

## 1 MP CMOS Alarm Pro Cube Camera

### Specification



<b>Camera</b>	
Image Sensor	1/4" Progressive Scan CMOS
Min. Illumination	0.01Lux @ (F1.2, AGC ON) , 0.028Lux @ (F2.0, AGC ON) , 0 Lux with IR
Shutter Speed	1/3 s ~ 1/100,000 s
Lens	2.8mm@ F2.0, Angle of view: 92.5° (4/6mm optional)
Lens Mount	M12
Day & Night	IR cut filter with auto switch
WDR	Digital WDR
<b>Compression</b>	
Video	H.264/MJPEG
H.264 Type	Baseline Profile / Main Profile
Video Bit Rate	32 Kbps – 8 Mbps
Audio	G.711/G.722.1/G.726/MP2L2
Audio Bit Rate	64Kbps(G.711) / 16Kbps(G.722.1) / 16Kbps(G.726) / 32-128Kbps(MP2L2)
<b>Image</b>	
Max. Resolution	1280 × 720
Frame Rate	50Hz: 25fps(1280 × 720) 60Hz: 30fps (1280 × 720 )
Image Enhancement	BLC/3D DNR
Image Setting	Rotate Mode, Saturation, Brightness, Contrast, Sharpness adjustable by client software or web browser
<b>Network</b>	
Network Storage	Local storage: Built-in Micro SD/SDHC/SDXC card slot, up to 128 GB
Alarm Trigger	Motion detection, Dynamic analysis, Tampering alarm, Network disconnect , IP address conflict, Storage exception
Protocols	TCP/IP, UDP, ICMP, HTTP, HTTPS, FTP, DHCP, DNS, DDNS, RTP, RTSP, RTCP, PPPoE, NTP, UPnP, SMTP, IGMP, 802.1X, QoS, IPv6, Bonjour
Security	One-key reset, Flash-prevention, dual stream, heartbeat, mirror, password protection, privacy mask, watermark, IP address filtering, anonymous access
Standard	ONVIF, ISAPI
Wireless	Standard: IEEE802.11b, 802.11g, 802.11n; Frequency: 2.4 GHz ~ 2.4835 GHz; Bandwidth: 20/40MHz
Wireless Range	50m (depend on environment)
Smart Wifi Config	One-key management in iVMS-4500 and Ezviz
<b>General</b>	
Operating Conditions	-10 °C – 40 °C (14 °F – 104 °F), Humidity 95% or less (non-condensing)
Power Supply	5V DC±10%
Power Consumption	Max. 4W
IR Range	10m
Dimensions	Φ70.6 x 116.7 mm
Weight	300g
<b>Order Model</b>	
DS-2CD1402FD-IW	